



EXPRESS ELECTRIC COMPANY

P.O. Box 2098 • Ashland, VA 23005

(804) 798-9305 • Fax (804) 798-5671

OFFICE USE ONLY	
HIRE DATE:	
RATE:	
EEC PPE:	Y N

ELECTRICIAN EMPLOYMENT APPLICATION

NAME: _____ DATE OF BIRTH: _____

ADDRESS: _____
STREET CITY STATE ZIP

PHONE NO.: _____ MARITAL STATUS: _____

EMAIL: _____

PREVIOUS EMPLOYMENT: (Beginning with most recent)

COMPANY NAME	ADDRESS	SUPERVISOR	JOB DESCRIPTION AND SALARY	LENGTH OF EMPLOYMENT

CERTIFICATION, LICENSES, ETC.: (Such as Journeyman's) _____

EDUCATION, SEMINARS, TRAINING, ETC.: _____

FAMILIAR WITH BOCA? YES NO

FAMILIAR WITH NEC? YES NO

SUPERVISION EXPERIENCE: (Size of Crew, etc.) _____

WHAT TYPE OF WORK ARE YOU CAPABLE OF? (Residential, Commercial, Industrial)

DO YOU HAVE EXPERIENCE IN SERVICE WORK? _____

REFERENCES: (Include name and phone # of individuals that can confirm your electrical knowledge.)

(CONTINUED ON BACK)

CHECK THE ITEMS YOU HAVE HAD EXPERIENCE WITH AND CAN HANDLE WITHOUT DIRECT SUPERVISION:

- Rigid Conduit
- EMT
- BX
- PVC
- NMC
- Greenfield
- Light Fixture Installation
- Trim-Out
- Wire & Terminations
- Switchboards
- Sizing Circuits
- Motor Controls
- HVAC Wiring
- HVAC Controls
- Fire Alarm Systems
- Nurse Call Systems
- Generators
- Old House Work
- Transformers
- Trouble Shooting
- Kitchen Equipment Wiring
- Grounding Systems
- Lightning Protection
- Underfloor Duct
- Ordering Material
- Reading/Understanding Blue Prints
- Planning Work
- Supervision
- Job Coordination
- Estimating

LIST TOOLS YOU CAN OPERATE: (Drills, Benders, etc.) _____

ARE YOU CAPABLE OF DESIGNING ELECTRICAL SYSTEMS? Y N

CAN YOU WORK OUT OF TOWN? Y N

WHEN WILL YOU BE AVAILABLE TO WORK? _____

HOURLY RATE DESIRED: \$ _____

If employed, you will be asked to sign a release that authorizes EXPRESS ELECTRIC COMPANY to make payroll deductions for insurance, loss of tools, etc. A background investigation and check of references will also be conducted for all employees. DO YOU OBJECT? (Circle) Y N

SIGNATURE: _____ SOCIAL SECURITY NO.: _____

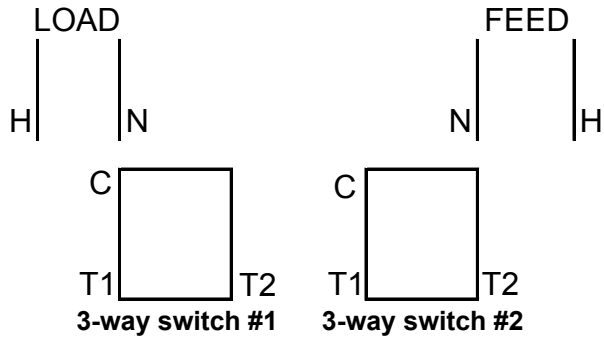
DATE: _____

EXPRESS ELECTRIC
ELECTRICIAN TEST

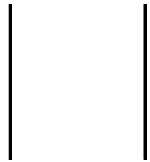
Name: _____

Date: _____

1. Explain how to terminate the wiring on each 3-way switch below.



2. To bend a 4" offset using 30 degree bends, what is the distance between the two lines?



3. List the color of the phases listed below:

120/208 Volt

Phase A= _____

Phase B= _____

Phase C= _____

277/480 Volt

Phase A= _____

Phase B= _____

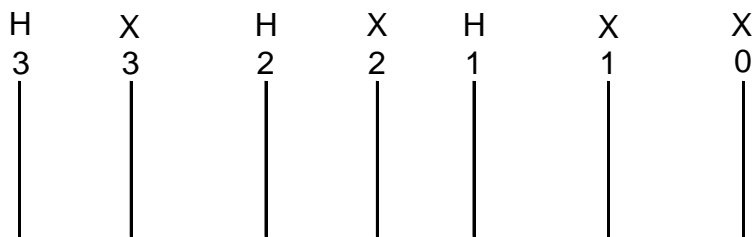
Phase C= _____

4. How Many Degrees are you allowed in a run of EMT by code?

5. What does GFCI stand for?

6. When you bend a 90 on a 3/4" bender, how many inches do you deduct?

7. Label the phases on the transformer below by color:



8. If you ran circuit # 12,14,15 together how many neutrals would you need to run?
